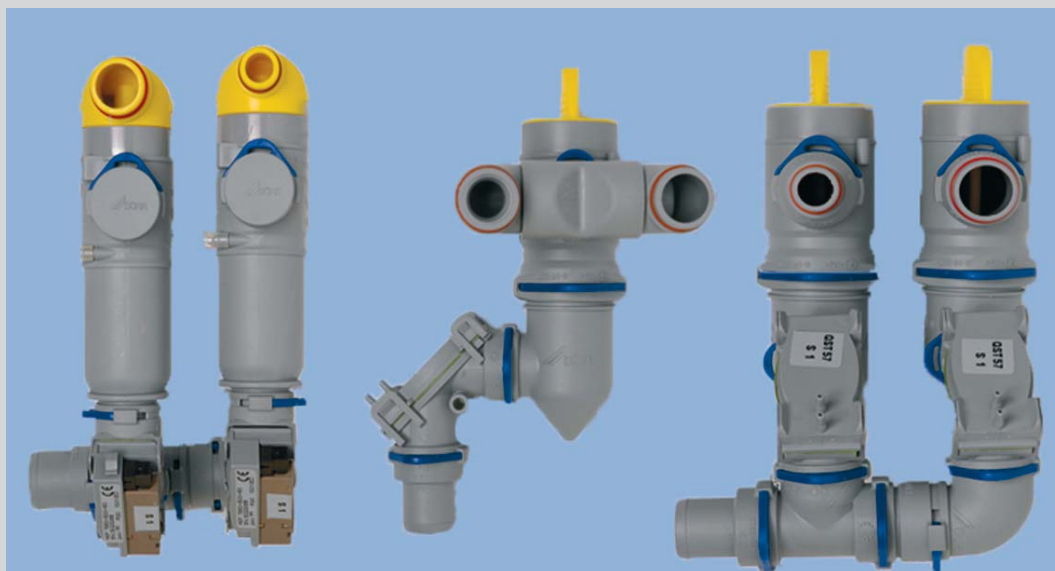


# DürrConnect System Filter Special

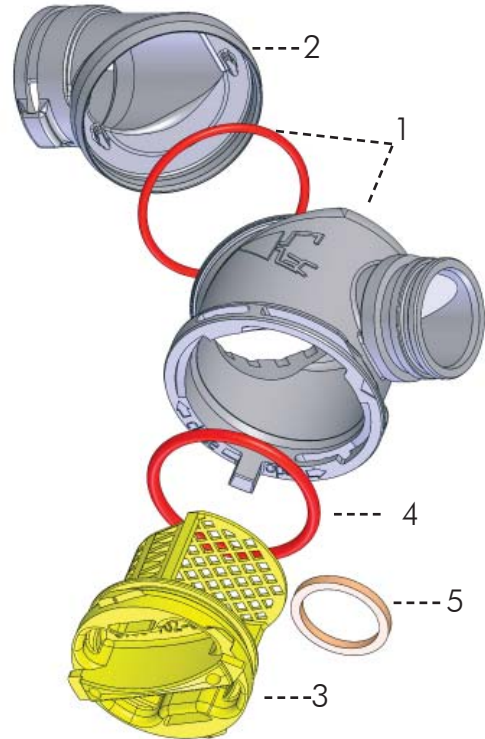


COMPRESSED AIR  
SUCTION  
IMAGING  
DENTAL CARE  
HYGIENE

- Quick and hygienic filter change
- No contact with contaminated liquids
- Protects your suction system against soiling and damage

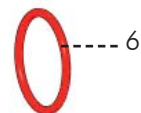
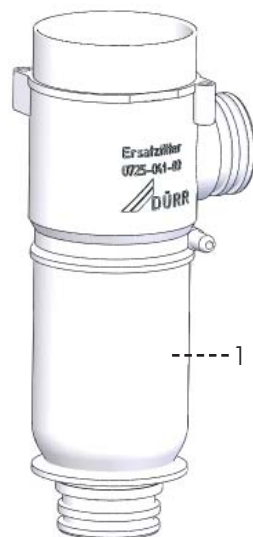
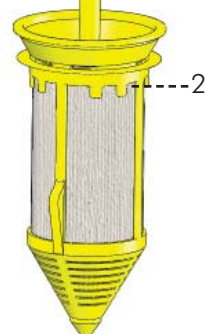
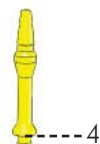
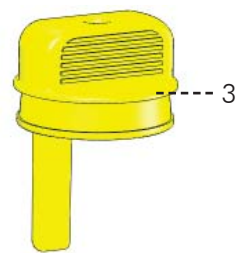
### A Filter housing complete Article - N°.: 0700-702-70

Art.-N°.:	Description	St.	Pos.
0700-702-04	Filter housing with O-Ring	1	1
0700-702-05	Housing, connection	1	2
0700-702-06	Filter cover	1	3
9000-402-149	O-Ring, 32,00x2,50 Silicon	1	4
9000-320-07	sealing ring 17,0x21,0x2,0	1	5



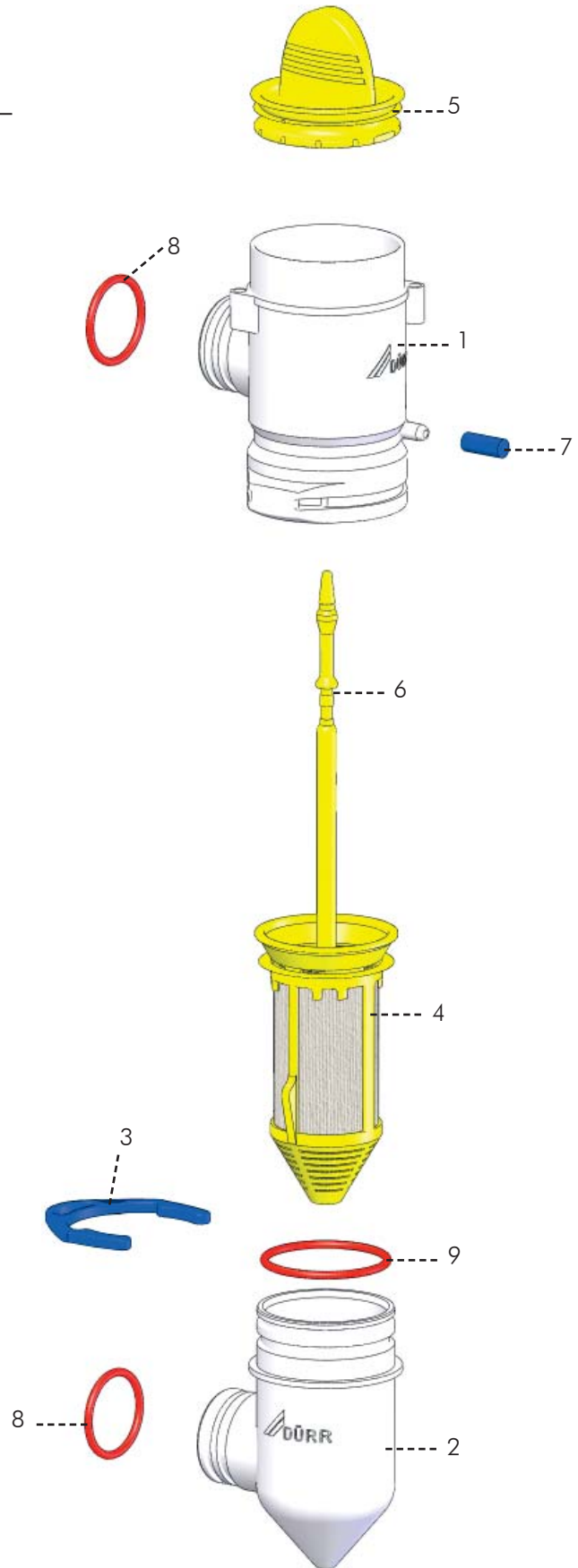
**B** Filter housing complete Article - N<sup>o</sup>.: 0725-040-00

Art.-N <sup>o</sup> .:	Description	Pcs	Pos.
0725-041-01	Filter housing	1	1
0725-041-02	Filter yellow	1	2
0725-100-02	Filter cover yellow	1	3
0725-041-04	Filter rod yellow	1	4
9000-310-002	End cap	1	5
9000-402-54	O-Ring Ø 20mm	2	6



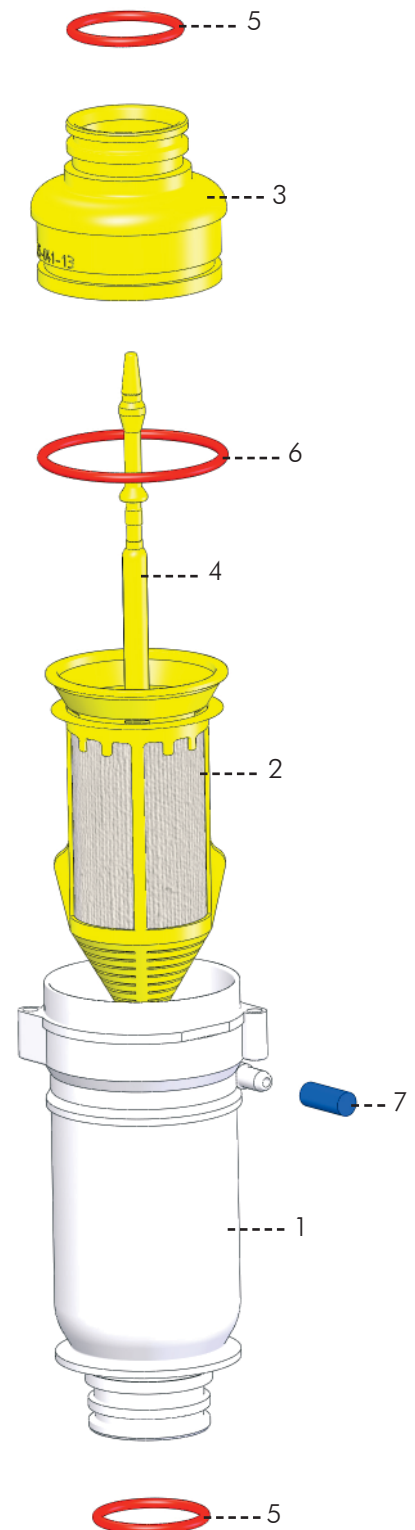
### C Filter housing complete Article - N°.: 0725-040-50

Art.-N°.	Description	Pcs	Pos.
0725-041-10	Filter housing top	1	1
0725-041-11	Filter housing down	1	2
0700-800-01	Securing ring	1	3
0725-041-02	Filter yellow	1	4
0725-041-03	Filter cover	1	5
0725-041-04	Filter rod yellow	1	6
9000-310-002	End cap	1	7
9000-402-54	O-Ring Ø 20mm	2	8
9000-402-90	O-Ring Ø 30mm	1	9



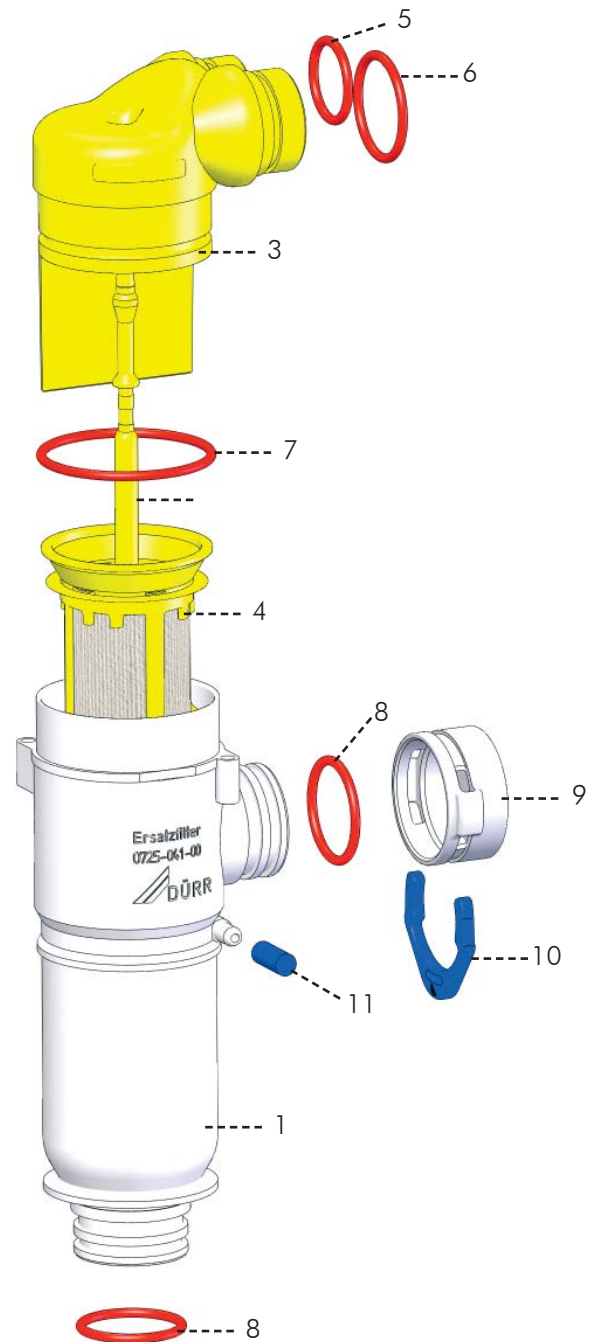
**D** Filter housing complete Article - N°.: 0725-040-51

Art.-N°.	Description	Pcs	Pos.
0725-041-12	Filter housing	1	1
0725-041-02	Filter yellow	1	2
0725-041-13	Filter cover, connection Ø25mm	1	3
0725-041-04	Filter rod yellow	1	4
9000-402-54	O-Ring Ø 20mm	2	5
9000-402-12	O-Ring Ø 33mm	1	6
9000-310-002	End cap	1	7



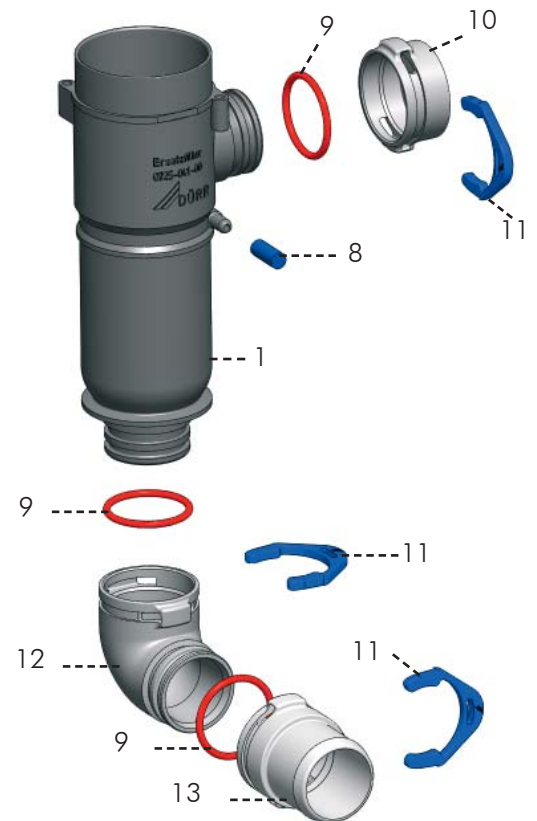
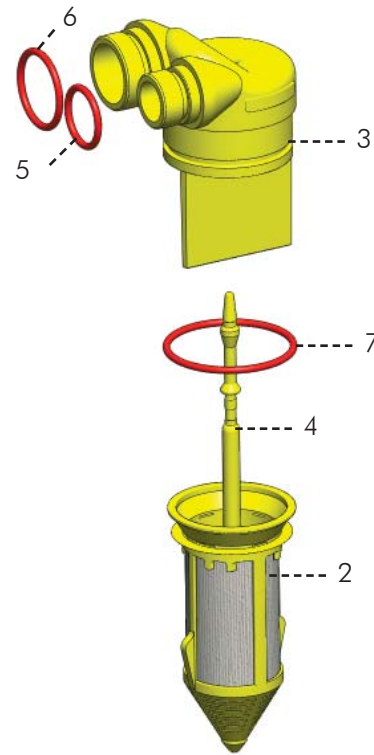
### E Filter housing complete Article - N°.: 0725-040-58

Art.-N°.	Description	Pcs	Pos.
0725-041-01	Filter housing	1	1
0725-041-02	Filter yellow	1	2
0725-041-05	Filter cover, 2 connection yellow	1	3
0725-041-04	Filter rod yellow	1	4
9000-402-80	O-Ring Ø 14mm	1	5
9000-402-81	O-Ring Ø 18mm	1	6
9000-402-12	O-Ring Ø 33mm	1	7
9000-402-54	O-Ring Ø 20mm	2	8
0700-700-10	DürrConnect blank	1	9
0700-700-01	Securing ring	1	10
9000-310-002	End cap	1	11



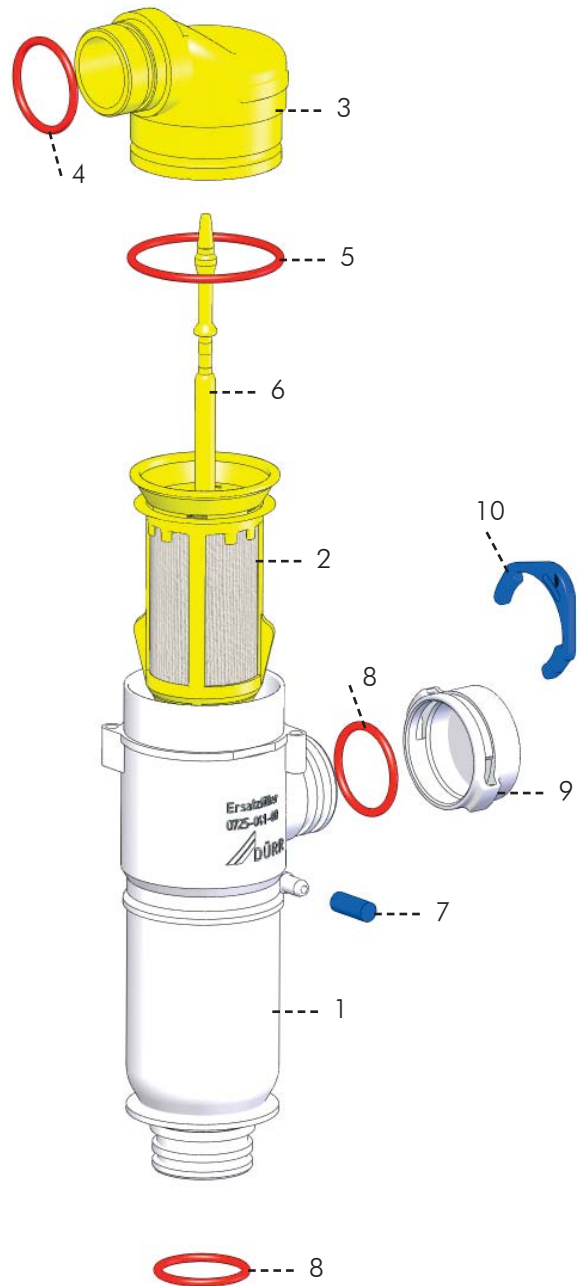
**F** Filter housing complete Article - N<sup>o</sup>.: 0700-702-54

Art.-N <sup>o</sup> .:	Description	Pcs	Pos.
0725-041-01	Filter housing	1	1
0725-041-02	Filter yellow	1	2
0725-041-05	Filter cover, 2 connection yellow	1	3
0725-041-04	Filter rod yellow	1	4
9000-402-80	O-Ring Ø 14mm	1	5
9000-402-81	O-Ring Ø 18mm	1	6
9000-402-12	O-Ring Ø 33mm	1	7
9000-310-002	End cap	1	8
9000-402-54	O-Ring Ø 20mm	3	9
0700-700-10	DürrConnect blank	1	10
0700-700-01	Securing ring	3	11
0700-700-04	Elbow 90°	1	12
0700-720-25	Hose connector Ø25mm	1	13



### G Filter housing complete Article - N°.: 0700-702-55

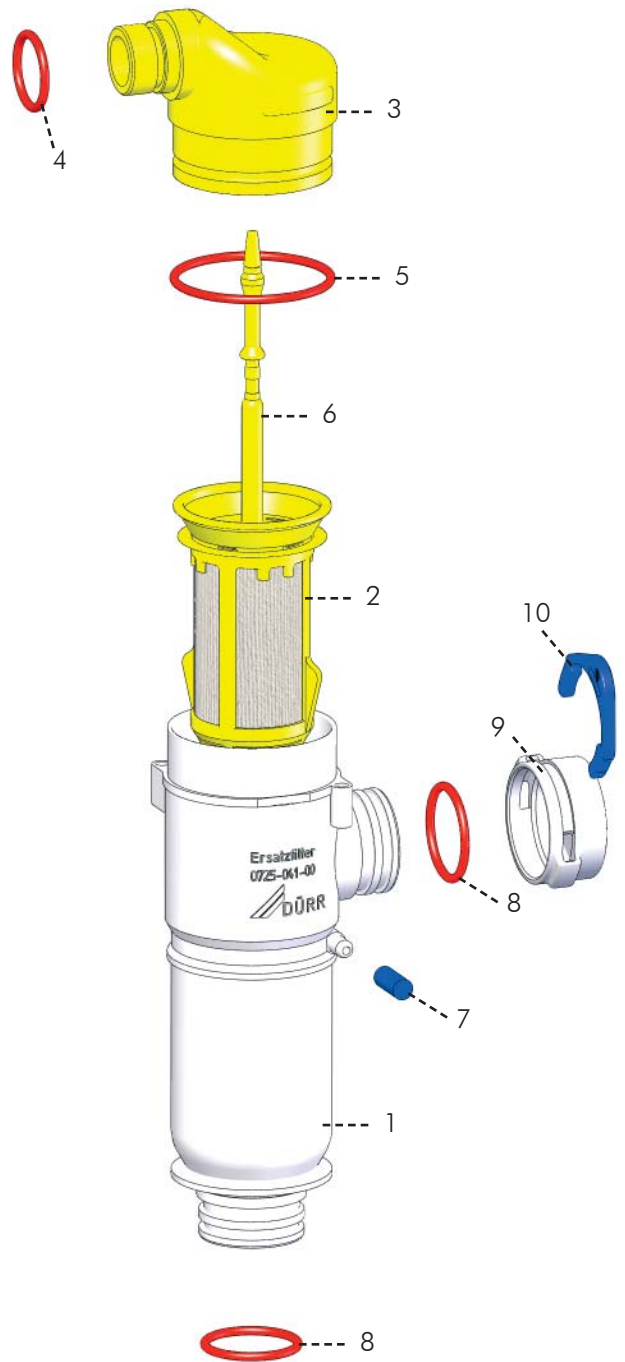
Art.-N°.: 0725-041-01	Description Filter housing	Pcs 1	Pos. 1
0725-041-02	Filter yellow	1	2
0725-041-07	Filter cover, large connection	1	3
9000-402-81	O-Ring Ø 18mm	1	4
9000-402-12	O-Ring Ø 33mm	1	5
0725-041-04	Filter rod yellow	1	6
9000-310-002	End cap	1	7
9000-402-54	O-Ring Ø 20mm	2	8
0700-700-10	DürrConnect blank	1	9
0700-700-01	Securing ring	1	10





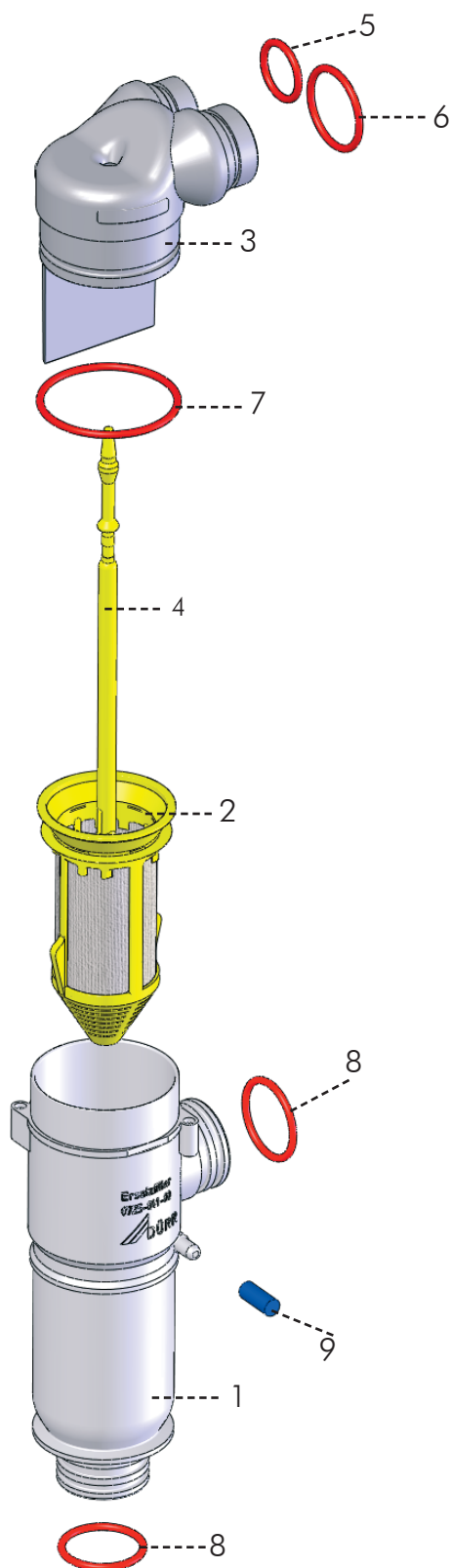
**H** Filter housing complete Article - N°.: 0700-702-56

Art.-Nr.:	Description	Pcs	Pos.
0725-041-01	Filter housing	1	1
0725-041-02	Filter yellow	1	2
0725-041-08	Filter cover, small connection	1	3
9000-402-80	O-Ring Ø 14mm	1	4
9000-402-12	O-Ring Ø 33mm	1	5
0725-041-04	Filter rod yellow	1	6
9000-310-002	End cap	1	7
9000-402-54	O-Ring Ø 20mm	2	8
0700-700-10	DürrConnect blank	1	9
0700-700-01	Securing ring	1	10



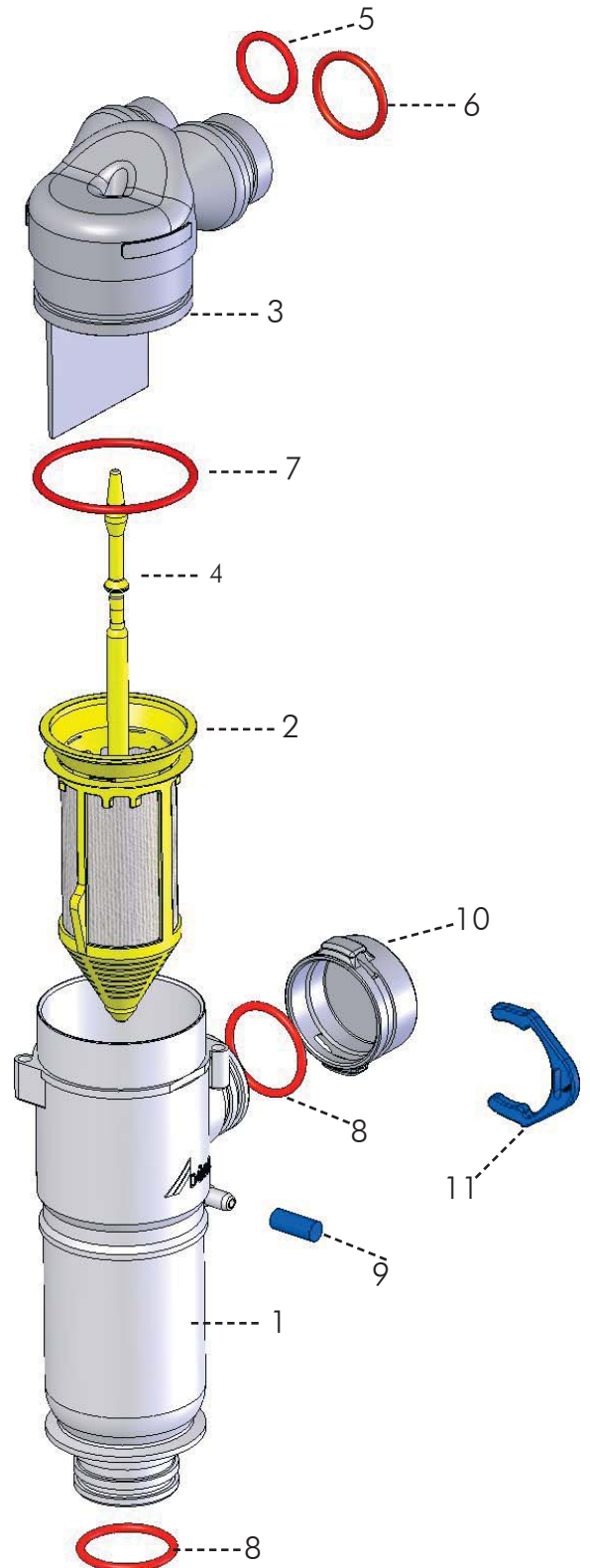
### I Filter housing complete Article - №.: 0725-040-52

Art.-№.:	Description	Pcs	Pos.
0725-041-01	Filter housing	1	1
0725-041-02	Filter yellow	1	2
0725A041-05	Filter cover, 2 connection grey	1	3
0725-041-04	Filter rod yellow	1	4
9000-402-80	O-Ring Ø 14mm	1	5
9000-402-81	O-Ring Ø 18mm	1	6
9000-402-12	O-Ring Ø 33mm	1	7
9000-402-54	O-Ring Ø 20mm	2	8
9000-310-002	End cap	1	9



**J** Filter housing complete Article - N<sup>o</sup>.: 0725-xxx-xx

Art.-N <sup>o</sup> .:	Description	Pcs	Pos.
0725-041-01	Filter housing	1	1
0725-041-02	Filter yellow	1	2
0725A041-05	Filter cover, 2 connection grey	1	3
0725-041-04	Filter rod yellow	1	4
9000-402-80	O-Ring Ø 14mm	1	5
9000-402-81	O-Ring Ø 18mm	1	6
9000-402-12	O-Ring Ø 33mm	1	7
9000-402-54	O-Ring Ø 20mm	2	8
9000-310-002	End cap	1	9
0700-700-10	DürrConnect Blank	1	10
0700-700-01	Securing ring	1	11



**Important order information:**

If DürrConnect components are not ordered as a kit, please add an „E“ to the end of the article number.

Example **without E**: 0700-700-22 DürrConnect Hose Connectors

Example **with E**: 0700-700-22E DürrConnect Hose Connectors



Filter housing B Application 1:

Art.-Nº.:	Description	Pcs
0725-040-00	Filter housing	2
7560-500-60	Place Selection Valve, electr. operated	2
0700-700-04	Elbow 90°	2
0700-700-06	T-Joint	1
0700-700-17	Extension	1
0700-720-25	Hose connector Ø 25mm	1
0700-700-01	Securing ring	7
9000-402-54	O-Ring Ø 20mm	5
0700-720-23	Connector for Large Suction Hose	1
7600A010-50	Large Suction Hose w/o handpiece, 160 cm	1
0700-721-17	Connector Saliva Ejector Hose	1
7600A020-50	Saliva Ejector Hose w/o handpiece, 160 cm	1

- Selective control of both suction hoses via place selection valves (electric or pneumatic controlled)
- No disturbing noises
- Long service life of the filter elements (one filter per large suction hose)
- A large selection of system connectors and adapters are available from our DürrConnect System for the connection of suction hoses. See our publ. DürrConnect System (Nº.: P007-370-02)



Filter housing B Application 2:

Art.-Nº.:	Description	Pcs
0725-040-00	Filter housing	2
7560-500-60	Place Selection Valve, electr. operated	1
0700-700-04	Elbow 90°	3
0700-700-06	T-Joint	1
0700-700-17	Extension	1
0700-720-25	Hose connector Ø 25mm	1
0700-700-01	Securing ring	7
9000-402-54	O-Ring Ø 20mm	5
0700-720-23	Connector for Large Suction Hose	1
7600A010-50	Large Suction Hose w/o handpiece, 160 cm	1
0700-721-17	Connector Saliva Ejector Hose	1
7600A020-50	Saliva Ejector Hose w/o handpiece, 160 cm	1

- Both suction hoses and filters are controlled by one place selection valve (electric or pneumatic controlled).
- No selective control of the suction hoses via place selection valve (electric or pneumatic controlled)
- Long service life of the filter elements (one filter per large suction hose)
- A large selection of system connectors and adapters are available from our DürrConnect System for the connection of suction hoses. See our publ. DürrConnect System (Nº.: P007-370-02)



Filter housing B Application 3:

Art.-Nº.:	Description	Pcs
0725-040-00	Filter housing	1
7560-500-60	Place Selection Valve, electr. operated	1
0700-720-22	Hose connector Ø 22mm	1
0700-700-01	Securing ring	3
7600A010-50	Large Suction Hose w/o handpiece, 160 cm	1
7600A020-50	Saliva Ejector Hose w/o handpiece, 160 cm	1
7600A530-00	Part kit vacuum T-Joint	1

- Two suction hoses controlled by one place selection valve (electric or pneumatic controlled)
- No selective control of a suction hose via place selection valve (pneumatic or electric)
- A large selection of system connectors and adapters are available from our DürrConnect System for the connection of suction hoses. See our publ. DürrConnect System (Nº.: P007-370-02)



Filter housing B Application 4:

Art.-Nº.:	Description	Pcs
0725-040-00	Filter housing	1
7560-500-60	Place Selection Valve, electr. operated	1
0700-720-22	Hose connector Ø 22mm	1
0700-700-01	Securing ring	3
7600A530-00	Part kit vacuum T-Joint	1
7600-100-14E	T-Joint	1

- Three suction hoses controlled by one place selection valve (electric or pneumatic controlled)
- No selective control of a suction hose via place selection valve (pneumatic or electric)
- A large selection of system connectors and adapters are available from our DürrConnect System for the connection of suction hoses. See our publ. DürrConnect System (Nº.: P007-370-02)



Filter housing C Application 1:

Art.-N <sup>o</sup> .:	Description	Pcs
0725-040-50	Filter housing	2
7560-500-60	Place Selection Valve, el. controlled	1
0700-720-25	Hose connector Ø 25mm	1
0700-700-01	Securing ring	6
0700-700-04	Elbow 90°	1
0700-700-06	T-Joint	1
0700-700-17	Extension piece	1
0700-720-23	Connector for Large Suction Hose	1
7600A010-50	Large Suction Hose w/o handpiece, 160 cm	1
0700-721-17	Connector for Saliva Ejector Hose	1
7600A020-50	Saliva Ejector Hose w/o handpiece, 160 cm	1

- Both suction hoses and filters are controlled by one place selection valve (electric or pneumatic controlled)
- No selective control of a suction hose via place selection valve (electric or pneumatic)
- Long service life of the filter elements (one filter per suction hose)
- A large selection of system connectors and adapters are available from our DürrConnect System for the connection of suction hoses. See our publ. DürrConnect System (N<sup>o</sup>.: P007-370-02)



Filter housing J Application 1

Art.-N <sup>o</sup> .:	Description	Pcs
0725-040-52	Filter housing	1
7560-500-60	Place Selection Valve, electr. controlled	1
0700-720-25	Hose connector Ø 25mm	1
0700-700-01	Securing ring	3
0700-700-10	Blank	1
7600A010-50	Large Suction Hose w/o Handpiece, 160 cm	1
7600A020-50	Small Suction Hose w/o Handpiece, 160cm	1

- Two suction hoses controlled by one place selection valve (electric or pneumatic controlled)
- No selective control of a suction hose via place selection valve (electric or pneumatic)
- A large selection of system connectors and adapters are available from our DürrConnect System for the connection of suction hoses. See our publ. DürrConnect System (N<sup>o</sup>.: P007-370-02)



Filter housing E Application 1

Art.-N <sup>o</sup> .:	Description	Pcs
0725-040-58	Filter housing	1
7560-500-60	Place Selection Valve, electr. controlled	1
0700-720-25	Hose connector Ø 25mm	1
0700-700-01	Securing ring	2
7600A010-50	Large Suction Hose w/o Handpiece, 160 cm	1
7600A020-50	Small Suction Hose w/o Handpiece, 160cm	1

- Two suction hoses controlled by one place selection valve (electric or pneumatic controlled)
- No selective control of a suction hose via place selection valve (electric or pneumatic)
- A large selection of system connectors and adapters are available from our DürrConnect System for the connection of suction hoses. See our publ. DürrConnect System (N<sup>o</sup>.: P007-370-02)



Filter housing H und G Application 1

Art.-N <sup>o</sup> .:	Description	Pcs
0700-702-55	Filter housing	1
0700-702-56	Filter housing	1
7560-500-60	Place Selection Valve, electr. controlled	1
0700-700-04	Elbow 90°	3
0700-700-17	Extension piece	1
0700-700-06	T-Joint	1
0700-720-25	Hose connector Ø 25mm	1
0700-700-01	Securing ring	8
7600A010-50	Large Suction Hose w/o Handpiece, 160 cm	1
7600A020-50	Small Suction Hose w/o Handpiece, 160cm	1

For this application you can also use two of the same filters

- Both suction hoses and filters are controlled by one place selection valve (electric or pneumatic)
- No selective control of a suction hose via place selection valve (electric or pneumatic)
- Long service life of the filter elements (one filter per suction hose)
- A large selection of system connectors and adapters are available from our DürrConnect System for the connection of suction hoses. See our publ. DürrConnect System (N<sup>o</sup>.: P007-370-02)



### Filter housing H und G Application 2

Art.-N <sup>o</sup> .:	Description	Pcs
0700-702-55	Filter housing	1
0700-702-56	Filter housing	1
7560-500-60	Place Selection Valve, electr. controlled	2
0700-700-04	Elbow 90°	2
0700-700-17	Extension piece	1
0700-700-06	T-Joint	1
0700-720-25	Hose connector Ø 25mm	1
0700-700-01	Securing ring	8
7600A010-50	Large Suction Hose w/o Handpiece, 160 cm	1
7600A020-50	Small Suction Hose w/o Handpiece, 160cm	1

For this application you can also use two of the same filters

- Selective control of a suction hose via place selection valve (electric or pneumatic controlled)
- No disturbing noises
- Long service life of the filter elements (one filter per suction hose)
- A large selection of system connectors and adapters are available from our DürrConnect System for the connection of suction hoses. See our publ. DürrConnect System (N<sup>o</sup>.: P007-370-02)



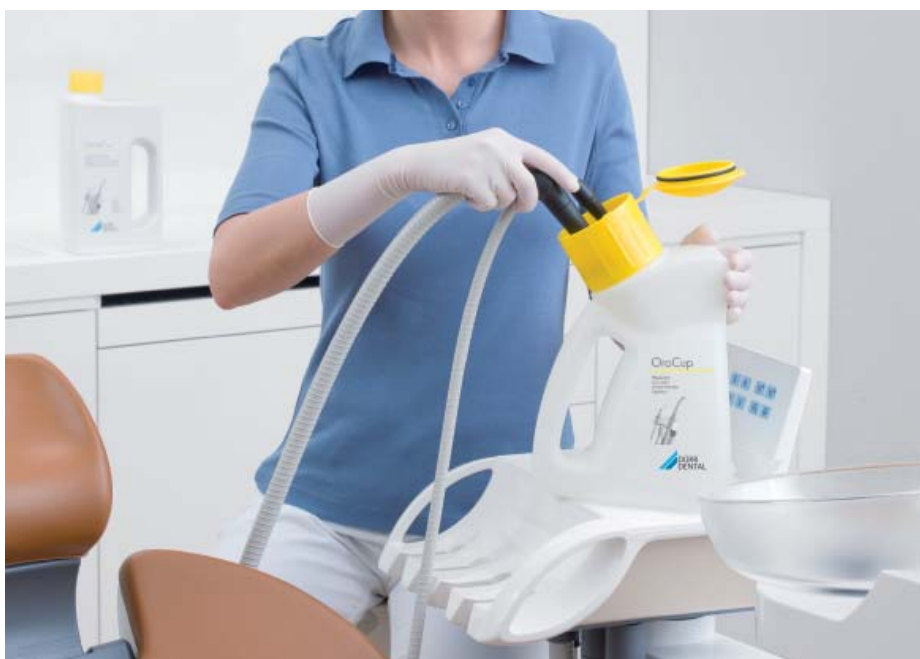


### Cleaning and Exchanging disposable Filters

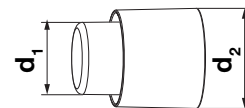
- Disinfect the Suction System twice daily with Orotol Plus. We recommend before the lunch break and at the end of the day
- Clean the Suction System once a week with MD555
- The disposable filter should be exchanged at least once a week. It is not allowed to be cleaned and re-used as this can damage the fine filter, which can then cause damages to the suction machine or CAS 1 if particles are not held back by the filter

**0725-041-00 Disposable Filter, 12 pcs/Pack**

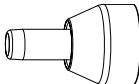
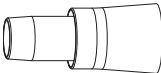
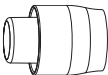
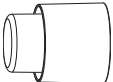
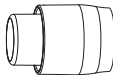
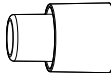
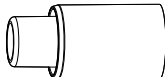
**For more information please see our website under [www.duerr.de](http://www.duerr.de)**



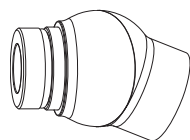
## Large Suction Hose - HVE



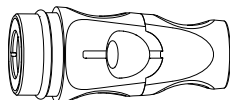
Adapter

Name	$d_1$	$d_2$	Shape	Ref. Nr./No.
Universal Ø 10 mm	10,0	26,3		7600A010-10
A-dec	17,0	26,3		7600A010-16
KaVo	20,0	26,3		7600A010-19
Dürr Comfort	19,0	26,3		7600?010-20
Dürr Eco / Selectiv	21,0	26,3		7600?010-22
Universal Ø 18,0 mm	18,0	26,3		7600?010-23
Universal Ø 18,0 mm	18,0	26,3		7600A010-25

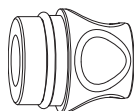
+ Ball joint  
7600?030-00



+ Large Handpiece  
7600?010-00



7600?040-00



+ Rotary Adapters  
7600?010-08



Ø 16 mm with auxiliary air intake

7600?010-04



Ø 16 mm without auxiliary air intake

7600?010-30



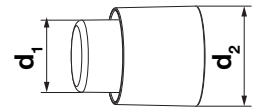
Ø 11 mm with auxiliary air intake

7600?010-07



Ø 11 mm without auxiliary air intake

## Saliva Ejector Hose - SVE

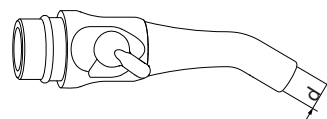


Adapter

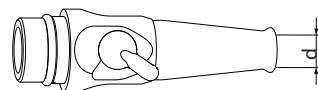
Name	d <sub>1</sub>	d <sub>2</sub>	Shape	Ref. Nr./No.
Universal Ø 6,0 mm	6,0	20,7		7600A020-06
A-dec	7,2	21,0		7600A020-07
KaVo	8,0	21,0		7600A020-08
A-dec	7,2	21,0		7600A020-09
Cattani	10,0	21,0		7600?020-10
Dürr Comfort	10,0	21,0		7600?020-11
Universal Ø 6,5 mm	6,5	18,0		7600A020-12
Universal Ø 10,0 mm	10,0	21,0		7600A020-13

+ Small Handpiece

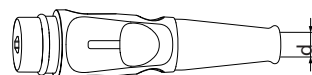
7600?020-00



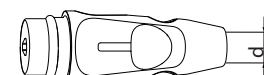
7600A020-55



7600A025-00



7600A025-50



d = 6±0,1 mm

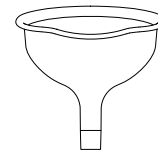
When ordering one of the following parts replace the symbol „?” in the order number by A = for grey or S = for black coloured parts. Example: 7600A010-22 for grey or 7600S010-22 for black

## Accessories Suction Hoses

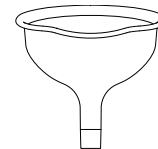
### Large Suction Hose

Ø 16 mm

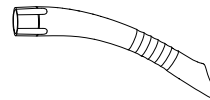
7068-003-05  
Funnel for Dürr Suction Hoses  
with locking lug, unpacked



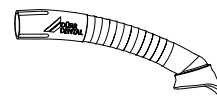
7068100002  
Funnel for individual Suction Hoses  
without locking lug, packed



0700-059-50 (5 pieces)  
Universal Cannula Protect  
grey

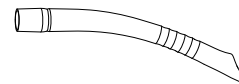


0700-058-50 (4 pieces)  
Prohylaxis Cannula  
grey



Ø 11 mm

0700-057-50 (5 pieces)  
Universal Cannula Petito  
grey

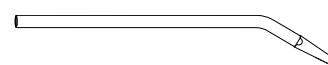


Further colours and package sizes can be found in our pricelist









### Saliva Ejector Hose

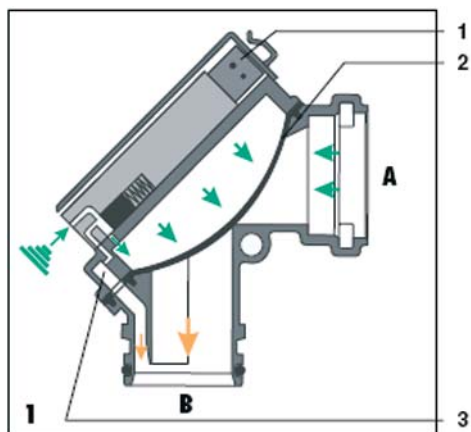
Surgical Suction Cannulas for single use

0700-007-50 / Ø 2,5 mm (20 pieces)  
0700-007-51 / Ø 2,5 mm (100 pieces)



## Suction Hoses

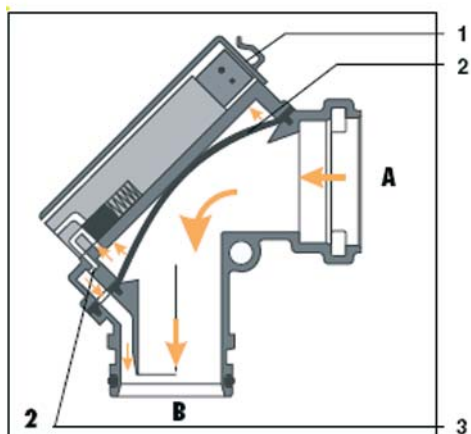
Article Number	Picture	Description
9000-317-22		Drain Hose (Ø 19 mm), m
9000-317-33		Suction Hose lrg (Ø 17,5 mm), 25 m/m
9000-317-38		Suction Hose lrg (Ø 19,0 mm), 25 m/m
9000-317-45		Drain Hose, green (Ø 15,0 mm), 25 m/m
9000-318-57		Drain Hose, brown (Ø 15,0 mm) / 25 m/m
9000A318-59		Suction Hose sml (Ø 10 mm) / 25m/m
9000A318-60		Suction Hose lrg (Ø 21 mm) / 25m/m
9000A318-61J		Drain Hose (Ø 25 mm) / 25m/m



Function Description:  
7560-500-60 Place Selection Valve, electronically controlled

### 1: Place Selection Valve (membrane) is closed

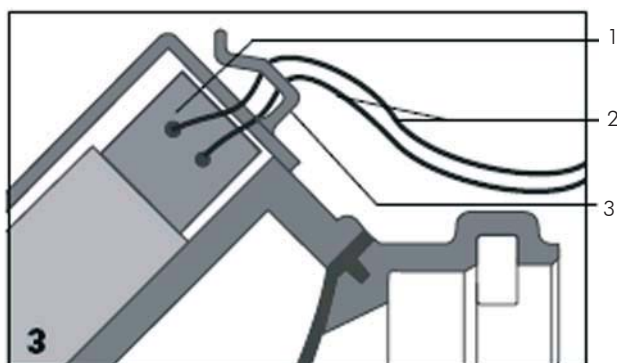
The solenoid (1) is closed without current, so that atmospheric pressure is able to enter the upper membrane chamber. This keeps the suction flow closed..



### 2: Place Selection Valve (membrane) is open

As soon as the suction hose is taken out of the holder, an electronic signal activates the solenoid (1). This means the atmospheric pressure connection is interrupted and a vacuum is produced by the suction unit. This lifts the membrane and opens the suction flow

A from Hose Holder  
B to the suction unit  
1 Magnet valve  
2 Valve membrane  
3 Air channel in Place Selection Valve



- 1 Pull the two-pin connector out of the solenoid valve (1).
- 2 Attach the control cable (14) to the two-pin connector according to the circuit diagram and replace in solenoid valve.
- 3 Guide the control cabling through the cable relief (15).



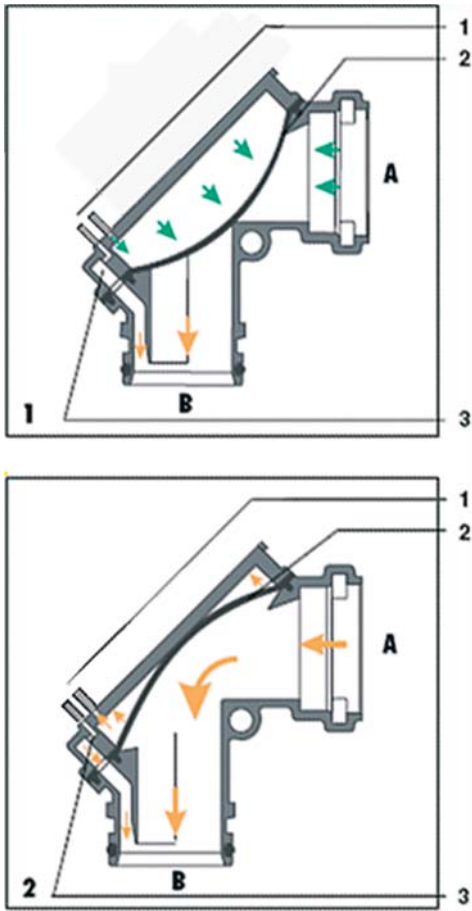
Use DürrConnect parts for connection



**IMPORTANT.** Take careful note of the fitting position, it must be at a 90° angle (see diagram), otherwise liquid may enter the solenoid valve (3) via the subsidiary air duct



For more information consult the Installation Instructions (Dürr Dental Nr. 9000-605-15)



Function Description:  
7560-500-71 Place Selection Valve, pneumatically controlled

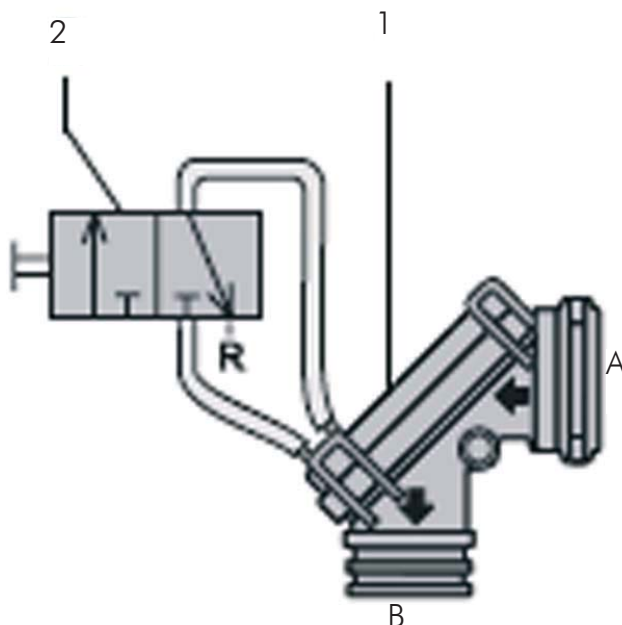
**1: Place Selection Valve (membrane) is closed.**

The corresponding solenoid valve (1) is closed without current, so that atmospheric pressure is able to enter the upper membrane chamber. This keeps the suction flow closed.

**2: Place Selection Valve (membrane) is open**


As soon as the suction hose is taken out of the holder, an electronic signal at the 3/2 multi-way-valve controls the Place Selection Valve. When the valve switches, air is sucked in over the air channel and due to the created vacuum the solenoid is opened.


- A from hose holder
- B to suction unit
- 1 Pneumatikanschlüsse zum Magnetventil
- 2 Valve membrane
- 3 Air channel in Place Selection Valve



- 1 Use the Place Selection Valve in the suction system only with a 3/2 multi-way-valve
- 2 A 3/2 multi-way valve is already included in the Dürr Comfort Hose Holder System. Alternatively you can incorporate a 3/2 multi-way valve in the treatment chair.
- A Connection to the suction hose holder.
- B Connection to the suction system.

 Use DürrConnect parts for connection

 **IMPORTANT.** Take careful note of the fitting position, it must be at a 90° angle (see diagram), otherwise liquid may enter the solenoid valve (3) via the subsidiary air duct.

 For more information consult the Installation Instructions (Dürr Dental Nr. 9000-605-15)

DÜRR DENTAL AG  
Höpfigheimer Straße 17 · D-74321 Bietigheim-Bissingen  
Tel: +49 (0) 71 42/705-0 · Fax: +49 (0) 71 42/705-500  
info@duerr.de · www.duerr.de

